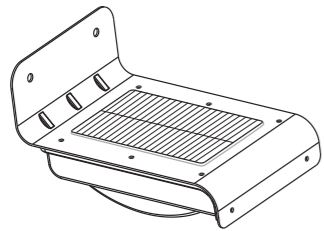
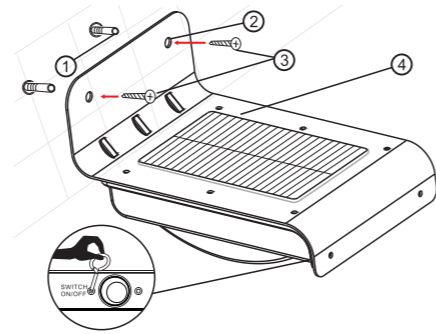


curve™ solar motion light



User Manual



- ① Rawl Plugs
- ② Mounting Holes
- ③ Screws
- ④ Solar panel

_____ .1. _____

Technical Specifications:

1. Solar panel: 0.55W, 17% efficiency
2. Li-ion battery: 3.7V 800mAh
3. Key switch pin: turn the light: On/Off
4. LED: 16pcs, SMD 3528, 1 Watt, 100Lumens
5. Lighting modes: Off / Bright
Bright: All LEDs on when motion is detected
6. Inbuilt circuitry protection: overcharging, discharging
7. Stainless Material: ABS + aluminium (sand blasting)

_____ .2. _____

Operating the Light:

1. Installing the light

Please use the supplied rawl plugs and screws to mount the light unit on the wall.

2. Charging the light

A south facing wall is best for charging the light. Make sure the panel is not mounted behind glass or in the shade. Remove the protective film from the solar panel. Allow three days for the light to charge.

3. Unlock and activate the device

Use the key pin in the "on/off" socket on the underside of the light to unlock the light ready for use.

4. Night sensor function

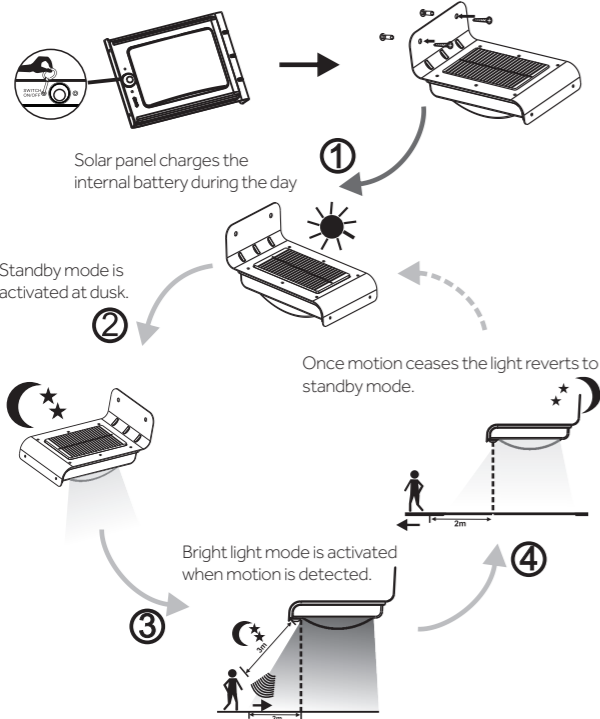
The motion sensor will activate the Bright mode when motion is detected and revert back to standby mode 30 seconds after motion ceases.

_____ .3. _____

Usage Cycle

Use the supplied key to activate the light.

Drill holes, then fix to the wall using the supplied screws and rawl plugs.



_____ .4. _____

Tips:



Ensure your solar panel is South facing or as near as possible



Clean your solar panel from time to time



Do **NOT** place your solar panel in shaded areas.



Do **NOT** charge behind glass

_____ .5. _____

Troubleshooting:

The Light is flashing

The light is running low on charge. Turn the light off and let it charge for 3 days with no activations to build up a good base charge in the battery.

The Light won't activate

If the Curve won't activate after dusk the light may be low on charge.

Is there another light source hitting the panel, tricking it into thinking it's still daylight? Cover the panel with your hand to simulate total darkness. If light activates you may need to reconsider where the light is installed.

Turn the light off and let it charge for 3 days with no activations to build up a good base charge in the battery.

_____ .6. _____

Package includes:

1. Key pin x 1
2. Rawl Plugs x 2
3. Screws x 2
4. Curve light unit

For customer support please contact:

The Solar Centre Ltd
Unit 5, Dencora Centre
Campfield Road
St Albans
Hertfordshire
AL1 5HN

T: 0845 094 1250

W: www.solarcentre.co.uk

E: info@solarcentre.co.uk



Made in China to Solar Centre Specification

solarcentre®
making solar that works

_____ .7. _____