

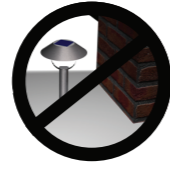
Thea Solar Garden Spot Light



Ensure your solar panel is South facing or as near as possible



Clean your solar panel from time to time



Do **NOT** place your solar panel in shaded areas.



Do **NOT** charge behind glass

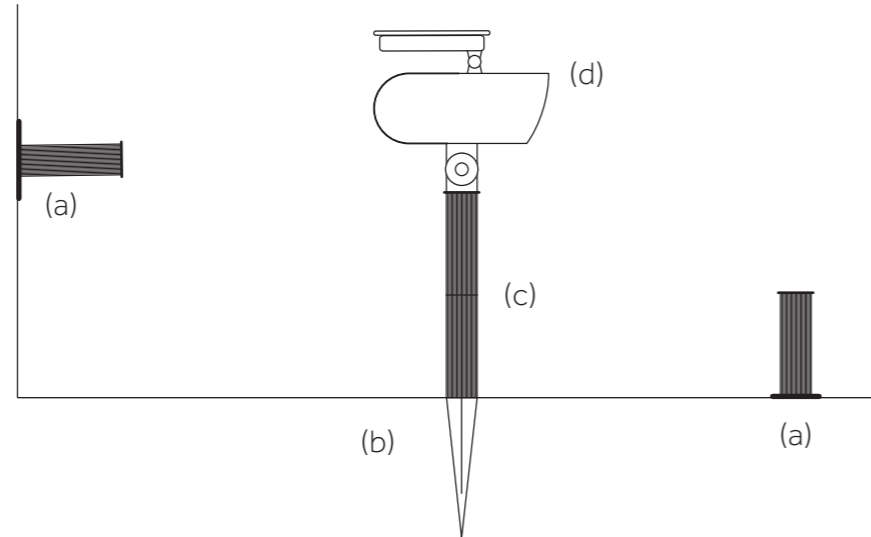
PLEASE CHARGE YOUR LIGHT FOR 3 DAYS BEFORE FIRST USE

User Guide

Thank you for choosing The Solar Centre's Thea Solar Garden Spotlight. Please read these instructions carefully before using your light.

Box Contents:

- Wall / Deck mount bracket **(a)**
- Stake fitting **(b)**
- 2 x Plastic pole & 1 x Pole Connector **(c)**
- Light with solar panel **(d)**
- 2 x Screws and 2 x rawl plugs



How it Works:

In the daytime the solar panel absorbs sunlight which charges the batteries. At night, with the switch set to on, the light turns on automatically at dusk and turns off automatically at dawn. With the switch set to off the unit will not operate at any time.

Installing Your Light:

When positioning your light, avoid locations where sunlight is obstructed by trees, foliage, buildings, fences or the shadows these create. A sunny South facing location is always ideal. Once you have positioned your light and set the angle of the light head, adjust the tilt angle of the solar panel to ensure it collects as much sun as possible. Once you are totally satisfied with the location and positioning of your light turn it on by pressing the power button on the underside of the solar panel. Please note that poorly positioned lights will not illuminate for long after dark.

Stake Mounting:

- 1: Connect the two pole pieces together (or use one piece if you prefer a shorter pole).
- 2: Locate the stake fitting and connect that to the other end of the pole.
- 3: Push the stake and pole into ground.
- 4: Connect the assembled pole to the light head.

Wall Mounting:

When wall mounting the Thea Solar Garden Spotlight it is particularly important to think about the amount of light the panel will receive in your proposed location.

- 1: Locate the deck/wall mounting bracket and screw it into your desired location.
- 2: Take out the light head and locate the plastic headed bolt directly under the light that enables you to adjust the angle of the light.
- 3: Remove the bolt but keep it in hand. Once the bolt has been removed one side of the fitting will come loose, please put this piece somewhere safe.
- 4: Hold the light unit up to the bracket you have already installed and line up the circular fitting on the light head with the circular fitting on the bracket. Set your desired light angle, reinsert the bolt and tighten.

Deck Mounting:

- 1: Locate the wall/deck mounting bracket and screw it into your desired location.
- 2: Connect the two pole pieces together (or use one piece if you would prefer a shorter pole)
- 3: Connect the assembled pole to the light head.
- 4: Connect the assembled pole and light head to the deck mount bracket.

Changing the Batteries:

The batteries should last for up to 2 years.

- 1: Remove the 3 screws from the underside of the solar panel.
- 2: Lift the panel carefully ensuring the wires inside aren't strained.
- 3: Remove the batteries.
- 4: Replace with 3 x 1.2V AA 1500mAh NiMH rechargeable batteries.
- 5: Please recycle the old batteries.

Troubleshooting:

1: The light is dim or flashes

Batteries are not fully charged or may need replacing

The solar panel needs bright light to recharge the batteries. Consecutive days of overcast weather may cause the batteries to lose power. If this happens the solar panel will recharge the batteries on the next bright day.

Check your solar panel is in an area where it gets the maximum amount of direct light every day. After moving it, allow 3 successive bright days for full charge with the switch in the "OFF" position.

Check for things obstructing light reaching the solar panel like over hanging branches, fences or buildings. If there are obstructions move the unit to a location receiving better light throughout the day.

Check the solar panel is clean. A dirty solar panel will not let the batteries charge fully. This will shorten the life of the batteries and stop the light operating. Clean the solar panel regularly with damp cloth.

2: The light won't turn on

Check for an external light source like a street light or porch light, this may be stopping the light sensor from knowing when it is dark. Move the light away from the external light source.

Rechargeable batteries may need charging, overcast weather could have prevented the batteries from recharging. Check to see if it works after the next sunny day.

After checking these problems observe the light after dark, if it still does not work then please contact us via the details below.

For customer support please contact:

The Solar Centre Ltd
Unit 5, Dencora Centre
Campfield Road
St. Albans
AL1 5HN

T: 0845 094 1250
W: www.thesolarcentre.co.uk
E: info@thesolarcentre.co.uk



Made in China to Solar Centre Specification

