

## Troubleshooting

The Astron has been designed to provide you with years of trouble-free use. If you encounter a problem it will more than likely be because either the Astron has run flat or the battery in the remote control needs replacing.

Below are some troubleshooting tips. Please only attempt these troubleshooting tips during the day when it is still light.

### ***I press the remote control buttons but the Astron won't respond***

Ensure that the Astron is switched on by checking the power button on the light unit.

### ***The switch on the Astron is turned on but it still does not respond when I press the remote control buttons***

Check the Astron has sufficient charge to operate. To do this unplug the solar panel and turn the light off and on again at the switch. If the Astron has charge it will illuminate immediately when you turn it on.

If the Astron does not have charge, reconnect the solar panel, turn it off using the switch on the light unit and leave it to charge for 3 days before trying again. If your Astron still doesn't appear to have charge after 3 days please contact your retailer or The Solar Centre.

### ***The Astron has charge but it still does not respond to the remote control***

Observe the small light on the remote control to ensure it flashes red when you press the buttons. If it doesn't flash then the battery on the remote control needs replacing.

### ***The red light flashes on the remote control but the Astron still does not respond***

Ensure the aerial on the remote control is fully extended and that the remote control is within range of the Astron. To be sure get within 5 metres of the light and try the remote control again. Please note that over time the battery in the remote control will begin to run flat. As this happens the range of the remote control will begin to reduce.

### ***My aerial is extended and I am within 5 metres of the light, the light is turned on and has charge, but the Astron still does not respond to the remote control.***

Please contact your retailer or The Solar Centre

#### For customer support please contact:

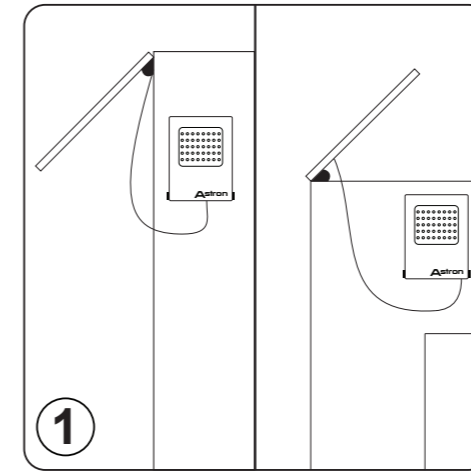
The Solar Centre Ltd  
Unit 5  
Dencora Centre  
Campfield Road  
St Albans  
Hertfordshire  
AL1 5HN

T: 0845 094 1250  
W: [www.solarcentre.co.uk](http://www.solarcentre.co.uk)  
E: [info@solarcentre.co.uk](mailto:info@solarcentre.co.uk)

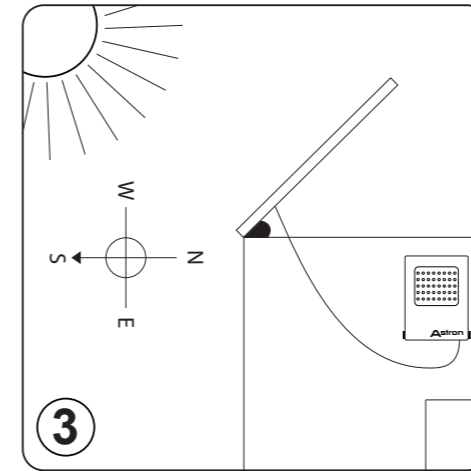


# Astron™

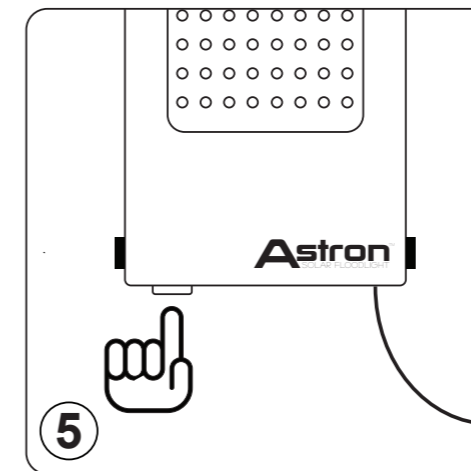
SOLAR FLOODLIGHT



The Astron's solar panel can be mounted on either a vertical or horizontal surface as shown above. The Astron and solar panel are heavy so ensure your location is sturdy enough to take their weight.

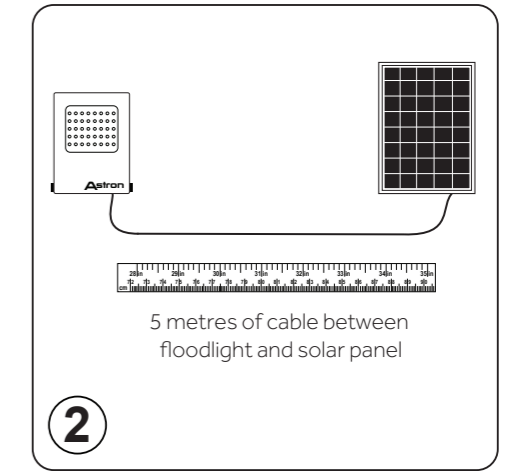


Ensure your solar panel is facing as southerly as possible and in a location unobstructed by trees, buildings, fences or the shadows that these create.



After 3 days return to your Astron and turn it on at the switch.

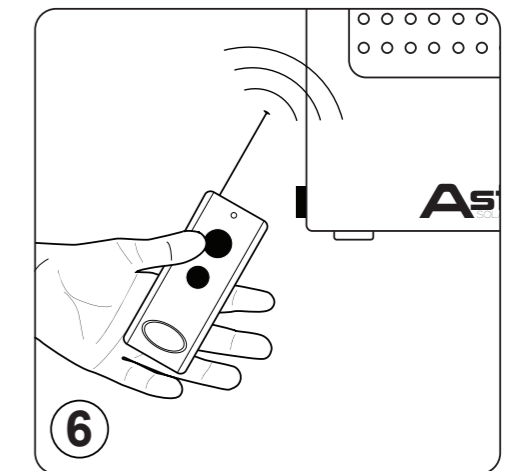
## Quick Start Guide



Before you begin please keep in mind that there is 5 metres of cable between the Astron and the solar panel.

March				
Mon	Tue	Wed	Thu	Fri
	1	2	3	4
7	8	9	10	11
<del>14</del>	<del>15</del>	<del>16</del>	17	18
21	22	23	24	25
28	29	30	31	

Now you have installed your Astron and solar panel, ensure the solar panel is connected to the Astron and turn it off at the switch on the light unit and leave it to charge for 3 full days.



You are now ready to use your Astron.

Please turn over for detailed instructions

PLEASE CHARGE YOUR ASTRON SOLAR FLOODLIGHT FOR 3 FULL DAYS PRIOR TO FIRST USE

PLEASE DO NOT ATTEMPT TO CHARGE YOUR ASTRON WITH THE SOLAR PANEL BEHIND GLASS - THIS CAN REDUCE CHARGING EFFICIENCY BY UP TO 90%

### Before you begin

Please remember that the Astron Floodlight and Astron Solar Panel are quite heavy. Before you begin installing your Astron Floodlight and solar panel, please take great care to ensure the surfaces you intend to mount them on are sturdy enough to take their weight. Failure to install your Astron and Solar Panel correctly could result in human or animal injury, damage to your property and damage to your Astron Solar Floodlight. If you are at all unsure please contact your retailer or The Solar Centre for advice.

You probably already have a good idea of where you intend to install your floodlight, but in order to get the most out of your Astron please consider the location of your solar panel before starting the installation process. It is crucial that your solar panel is located in an area where light is largely unobstructed by buildings, fences, trees, sheds, bushes or the shadows that these create. Solar panels located in shaded areas will not perform anywhere near as well as those located in areas that get good light through out the day. Poorly sited solar panels will only allow the Astron to light for a few hours after dark and it will soon run out of charge. Please remember that there is 5 metres of cable between your Astron Solar Floodlight and the solar panel so your panel must be mounted within 5 metres of your light. If you are in any doubt please check this distance before beginning the installation process.

The Astron has 2 solar panel inputs which gives you the option to add an additional solar panel if required. This maybe useful if you plan to use your Astron intensively during winter, or if your solar panel location is not ideal. Please note that if you have one solar panel you can plug it into either socket.

### Installing your Astron solar panel

The solar panel that comes with your Astron has 45 degree mounts which will enable you to mount the solar panel at 45 degrees on either a horizontal surface such as a shed or garage roof, or a vertical surface such as a wall. Please see Step 1 on the Quick Start Guide which shows you how the solar panel should be positioned depending on if you intend to mount it on a horizontal or vertical surface. Once you have decided on your solar panel location, connect the solar panel brackets to the solar panel by using the screws and washers provided. With mounts attached, position your solar panel in your desired location and mark the 4 holes. Depending on the surface, either drill or prepare the 4 holes for mounting before screwing your solar panel into place using screw plugs.

### Installing your Astron Floodlight

Place the Astron face down on a steady surface. Using a spanner, Mole grips or pliers, remove the two nuts that secure the wall bracket to the light. Carefully put the 2 nuts, 4 washers and 2 locking washers to one side and remove bracket. Now position the bracket in your desired location and mark the 2 holes. Drill your 2 screw marks and secure bracket using the supplied screws, washers and screw plugs. Now reattach your Astron to the bracket. Now your solar panel and Astron are installed, simply plug the solar panel cable into either of the 2 solar panel sockets on the Astron light unit.

### Operating Your Astron

Please note that so long as the Astron is connected to the solar panel, it will charge up from the sun during the day whether it is turned on or off.

Your Astron can be operated by using the power switch on the light unit, or by using the supplied remote control. Please remember that the Astron has a light sensor in the solar panel which enables it to turn itself on and off automatically. The light sensor determines when it gets dark enough for the Astron to turn on at night and when it is light enough for it to turn itself off at dawn and begin charging again. When the Astron is working automatically it will turn itself on each night at dusk and turn itself off at dawn or when the batteries get low (whichever comes sooner).

### Power Switch On Light Unit

The Astron has an On / Off power switch on the light unit. If this is switched off, the Astron will not light until it is turned on by pressing the power switch.

- If you turn the Astron on during the day using the power switch, the Astron will not light up until after dark where it will turn on automatically. The Astron will then turn off automatically when the batteries get low or when it becomes light again (whichever comes sooner).

- If you turn the Astron on at the power switch on the light after dark, the Astron will light up straight away and will turn off automatically when the batteries get low or when it becomes light again (whichever comes sooner).

### Remote Control

The Astron must be turned on at the power switch on the light before you can use the remote control. Please note the remote control has a range of up to 50 metres.

The remote control has 2 buttons, on and off. The top button is the on button, the bottom button is the off button.

### Turning the Astron on using the remote control

- If you turn the Astron on using the remote control during the day, the Astron will blink 3 times to let you know it has received the signal. The Astron will then light up automatically after dark and turn off automatically when the batteries get low or when it becomes light again (whichever comes sooner).

- If you turn the Astron on at the remote control after dark, the Astron will light up straight away and will turn off automatically when the batteries get low or when it becomes light again (whichever comes sooner).

### Turning the Astron off using the remote control

- If you turn the Astron off at the remote control during the day, the Astron will blink 5 times to let you know it has received the signal. The Astron will then be switched off and will not turn on automatically after dark. You can turn the Astron back on by pressing the on button on the remote control or by turning the Astron off and back on using the power switch on the light.

- If you turn the Astron off at the remote control after dark, the Astron will turn off immediately and will not come on again automatically. You can turn the Astron back on by pressing the on button on the remote control or by turning the Astron off and back on again using the power switch on the light.

### Disabling the light sensor

Some users may want to disable the light sensor in the Astron so that it can be turned on and off manually regardless of how light it is outside. To do this simply unplug the solar panel from the Astron