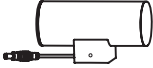
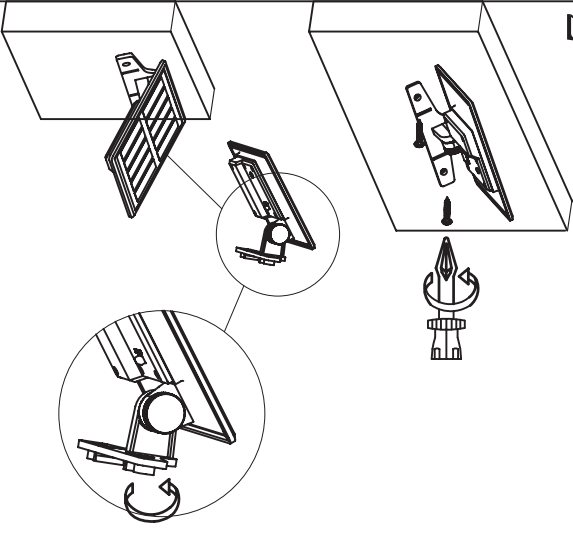

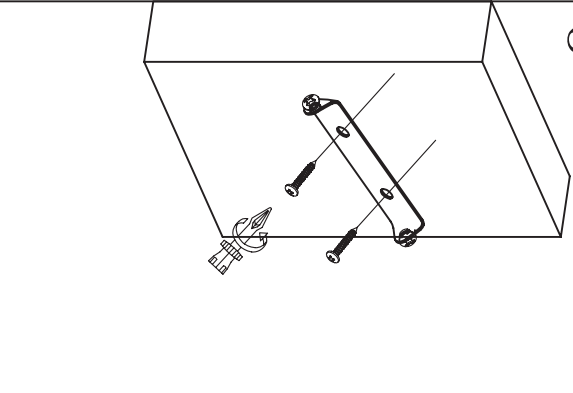

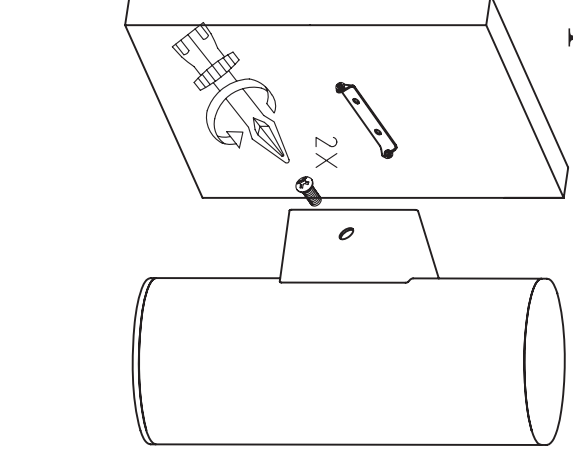

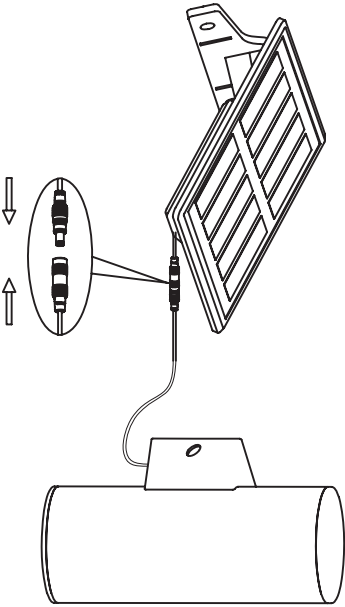


# CHESTER

UP & DOWN SOLAR WALL LIGHT

SS9960		1	
Parts Supplied		2	
	X1		
	X1		
	X4		
	X4		





5

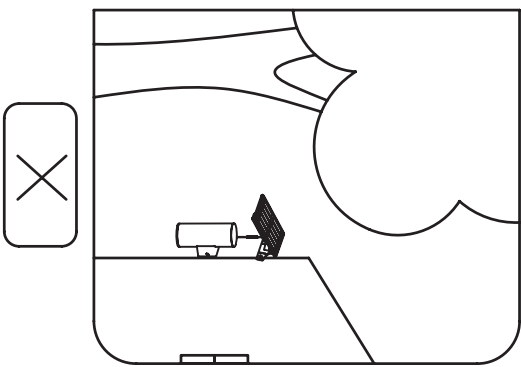
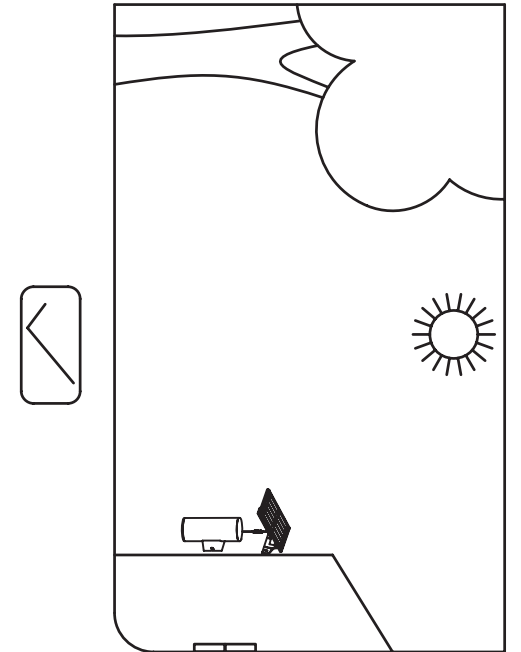


OFF

S

P

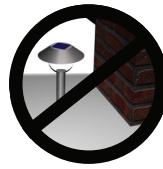




Ensure your solar panel is South facing or as near as possible



Clean your solar panel from time to time



Do **NOT** place your solar panel in shaded areas.



Do **NOT** charge behind glass

**PLEASE CHARGE YOUR LIGHT FOR 3 - 5 DAYS BEFORE FIRST USE**

# CHESTER

UP & DOWN SOLAR WALL LIGHT

# USER GUIDE

## Pack Contents:

- 1 x Lamp
- 1 x Solar Panel
- 4 x screws
- 4 x wall plugs

1

Carefully consider solar panel location, try to avoid shadows by day and other sources of light at night that could trick the light into thinking it's still daylight. Use the solar panel bracket to mark and drill the holes for the solar panel

The solar panel needs to be situated with 1m of the lamp unless you have purchased a 5m extension cable to allow the solar panel to be installed further away.

2

Screw the solar panel to the wall.

3

Remove screws from side of lamp wall bracket to free the wall fixing plate and use this to mark and drill the holes on the wall for the lamp. Screw the wall fixing plate to the wall.

4

Replace the screws either side of the lamp wall bracket.

5

Connect the solar panel to the lamp head by pushing the connector together.

## Operation

After leaving the light to charge for 3 - 5 days use the switch on the underside of the solar panel to switch the lamp on. S is for standard mode and will operate the light at full brightness. To increase the runtime or for a more decorative light output select P for powersaving. After dark the lamp will light up automatically.

## Troubleshooting

If you are encountering problems with your light, its more than likely something you can resolve yourself. A solar panel in a poor location will struggle to work well. Please try the troubleshooting tips below before contacting your retailer.

1. Double check the installation location. Is it as south facing as possible and in an unshaded location?
2. Are there other sources of light tricking the lamp into thinking it's still daylight and stopping the unit from activating? Test this by covering the solar panel with a tea towel or similar - ensuring there is no light reaching the panel. If the lamp activates then another source of light hitting the solar panel is tricking the lamp into thinking it's still daylight. Remove the source of light or install in a different location.

## Maintenance

Clean the surface of the solar panel and light lens with a soft, slightly moistened cloth. Do not use corrosive cleansing agents or chemical solutions since this may damage the surfaces and impair operation. Keep the solar panel free of dirt, debris and snow or the battery might not charge properly. This may also shorten battery life or cause malfunction.

## Safety Instructions

The Solar Centre assume no liability for any damage resulting from the use of this product, nor do we assume liability for any damage to property or personal injury caused by improper use or failure to observe the safety instructions. Unauthorised conversion and/or modification of the unit will result in the invalidation of any guarantee.

For customer support please contact:

The Solar Centre Ltd  
Unit 5, Dencora Centre  
Campfield Road  
St Albans  
AL1 5HN

E: [info@solarcentre.co.uk](mailto:info@solarcentre.co.uk)



Made in China to Solar Centre Specification

