

ANTHRALIGHT SOLAR SECURITY LIGHT

When positioning your solar light please avoid locations where sunlight is obstructed by trees, foliage, buildings, fences or the shadows these create. A sunny South facing location is always best.

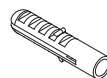
Please note that a poorly positioned solar light will struggle to work for long after dark.



Please check box contents.



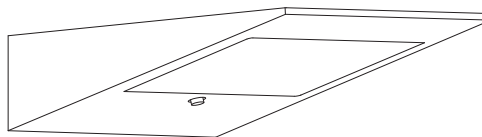
x2



x2

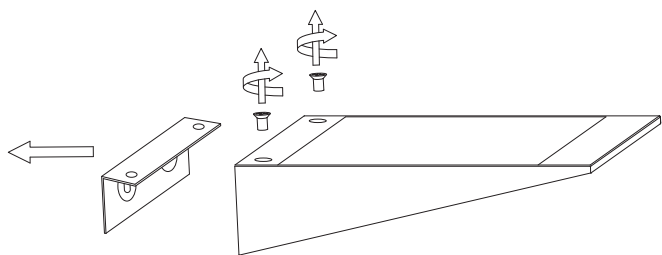


x1



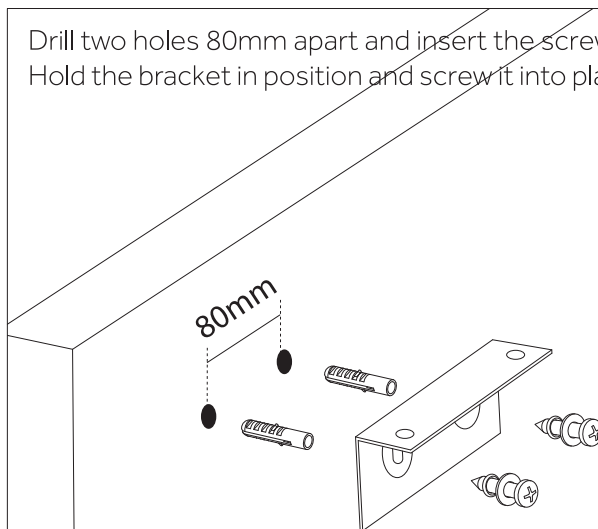
1

Unscrew the two screws on the top of the light and remove the mounting plate,



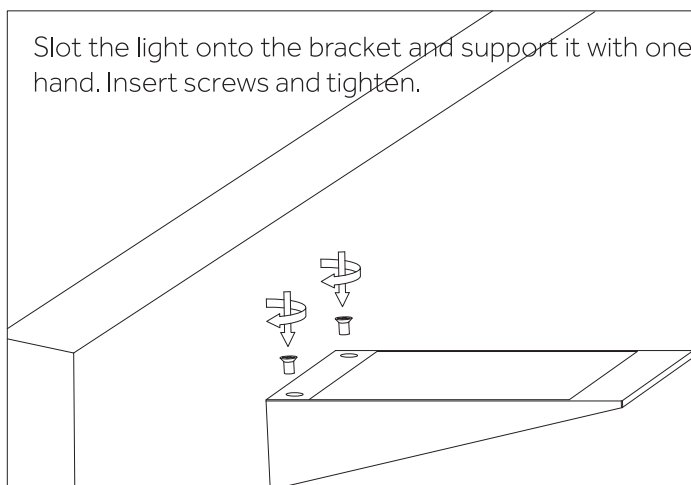
2

Drill two holes 80mm apart and insert the screw plugs. Hold the bracket in position and screw it into place.



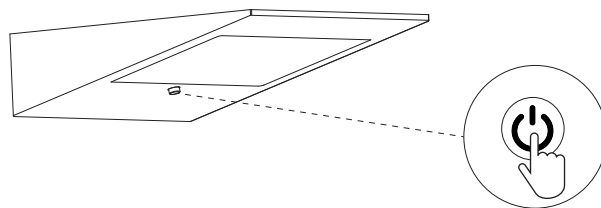
3

Slot the light onto the bracket and support it with one hand. Insert screws and tighten.



4

Press and hold the power button for 5 seconds. The power button will illuminate blue once the light is switched on. The light will then turn on automatically after dark.



The light operates at 15% brightness when there is no motion. Brightness increases to 100% as soon as motion is detected and reverts to 15% brightness 30 seconds after motion stops.

5