

PLEASE CHARGE YOUR LIGHT FOR 3 - 5 DAYS BEFORE FIRST USE



User Guide

Your Evo15 Solar PIR Utility Light will not charge correctly if the panel is charged behind glass or using artificial light

Thank you for choosing The Solar Centre's Evo15 Solar PIR Utility Light. Please read these instructions carefully before using your light.

Always take care when installing your Evo15 Solar PIR Utility Light, especially when mounting it in high places.

Installing the solar panel

The Evo15 Solar PIR Utility Light has a powerful solar panel that charges the internal high capacity battery during the day. At night the charge in the internal battery powers the Evo15 Solar PIR Utility Light enabling it to light when it detects motion. Before installing your Evo15 Solar PIR Utility Light solar panel you'll need to consider the best place for it to receive the most amount of sunlight. Position the Evo15 Solar PIR Utility Light solar panel in a South facing location that is not obstructed by buildings, fences, trees, sheds, bushes or the shadows that these create. Please note that a poor solar panel location will drastically reduce the performance of your Evo15 Solar PIR Utility Light Solar Security Light.

The Evo15 Solar PIR Utility Light solar panel must be located within 5m of where you intend to position your Evo15 Solar PIR Utility Light and can be exposed to all weather conditions. There are 3m extension cables available separately (please ask your retailer for details or call 0845 094 1250). The Evo15 Solar PIR Utility Light solar panel can be mounted onto a flat surface. Once you have identified your solar panel location, put it in place and mark the position of the three screw holes. Drill the marked holes, insert rawl plugs and screw the Evo15 Solar PIR Utility Light solar panel into position.

While every care has been taken to waterproof the light we always recommend mounting the Evo15 Solar PIR Utility Light under the eaves or to a solid wall or fence to reduce opportunities for driving rain to enter the unit. Failure to follow this advice may impair performance of your light and could affect the warranty.

Please note the PIR motion sensor (the white "bubble" on the front of the light unit) needs to be pointing to where you want any motion detected to operate the light.

Fig. 2

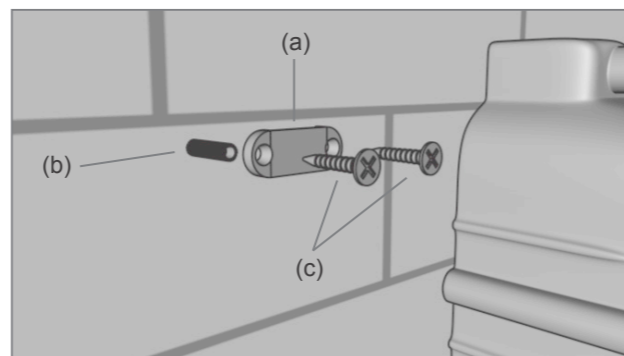
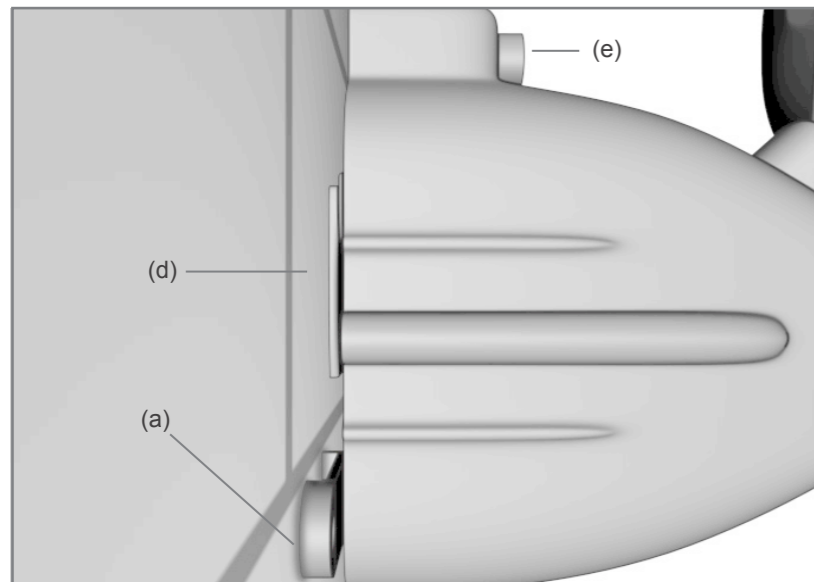


Fig. 1

Fig. 1

Once you have identified your Evo15 Solar PIR Utility Light Unit Position, locate the mounting bracket (a), the two rawl plugs (b) and 2 screws (c). Hold the bracket in place and mark the position of the two screw holes. Drill the marked holes, insert rawl plugs (b) and screw the bracket into position.

Fig. 2

Slide the hook on the rear of the Evo15 Solar PIR Utility Light (d) into the bracket (a) until it is securely in position. Adjust the angle of the light head to make the light cover the area you want to illuminate.

Connecting the Evo15 Solar PIR Utility Light light unit to the solar panel

Locate the Evo15 Solar PIR Utility Light solar panel cable and connect it into the socket (e) on the top of the Evo15

Solar PIR Utility Light Solar Security Light (**fig. 2**) Apply a moderate pressure to the solar panel connector to ensure the solar panel connector is fully plugged into the socket. Push the power button to turn the light on.

Troubleshooting:

If you are encountering problems with your Evo15 Solar PIR Utility Light, its more than likely something you can resolve yourself. An Evo15 Solar PIR Utility Light that has its solar panel in a poor location that is subject to many activations per night will struggle to work well. Please try the troubleshooting tips below before contacting your retailer.

1. Double check the location of your solar panel. Is it as south facing as possible and in an unobstructed location?
2. Is the solar panel fully plugged into the Evo15 Solar PIR Utility Light? - apply moderate pressure to the jack to make sure. Wipe the panel with a damp cloth
3. Are there other sources of light tricking the Evo15 Solar PIR Utility Light into thinking it's still daylight and stopping the unit from activating?

Maintenance:

Clean the surface of the solar panel and light lens with a soft, slightly moistened cloth or a dry brush only. Do not use corrosive cleansing agents or chemical solutions since this may damage the housing surface or impair operation. Keep the solar panel free of dirt, debris and snow, or the battery in your Evo15 Solar PIR Utility Light will not charge properly. This may also shorten battery life or cause malfunction.

Safety Instructions:

The Solar Centre assume no liability for any damage resulting from the use of this product, nor do we assume liability for any damage to property or personal injury caused by improper use or failure to observe the safety instructions.

Unauthorised conversion and/or modification of the unit will result in the invalidation of any guarantee.

This device is not a toy and should be kept out of reach of children

Do not expose the device to extreme temperatures (less than -25°C or higher than 50°C) or strong vibration or mechanical stress

Do not leave the packaging material unattended after installation.

For customer support please contact:

The Solar Centre Ltd

Unit 5, Dencora Centre

Campfield Road

St Albans

AL1 5HN

T: 0845 094 1250

W: solarcentre.co.uk

E: info@solarcentre.co.uk



Made in China to Solar Centre Specification

