

# KINGSBRIDGE SOLAR WALL LIGHT

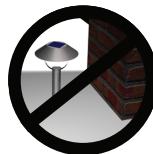
## USER GUIDE



Ensure your solar panel is South facing or as near as possible



Clean your solar panel from time to time



Do NOT place your solar panel in shaded areas.



Do NOT charge behind glass

**Thank you for choosing the Kingsbridge Solar Wall Light. Please read these instructions carefully before using your light.**

Always take care when installing your light, especially when mounting it in high places. If you are at all unsure, please contact your retailer or a professional trades person for advice.

### How does it work?

The Kingsbridge has a 1.86W solar panel which charges a high capacity battery during the day. At night the charge stored in the battery powers the Kingsbridge enabling it to light when it detects motion.

### Installation

Please carefully consider where you wish to install your light before making alterations to your property. It's particularly important that the solar panel receives as much sunlight as possible. Ensure that it is not obstructed by buildings, fences, trees, sheds, etc., or the shadows that these create. **If the solar panel is installed in a poor location, it may not perform to the best of its ability.**

The Kingsbridge can be mounted onto a flat, vertical surface, such as a wall. Once you have decided on your light base location, place and mark the two holes you need in the mounting bracket. Place the light aside, drill your two marks and mount using the supplied screws and screw plugs.

### Operating Instructions:

Now your Kingsbridge is installed, turn it on by pressing the switch on the back of the light. The light will charge during the day and activate automatically at night.

The motion sensor will detect up to 10m with a 120 degree detection angle, however this can vary depending on the location, positioning and other external factors such as temperature. The light will illuminate for 25 seconds each time it detects motion.

To alternate between the different modes, press the button. See the modes below:

**Press 1:** Light ON - Press and hold for three seconds

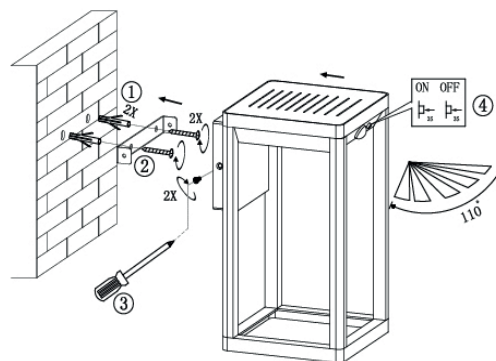
**Press 2:** Switch to Mode 2

**Press 3:** Switch to Mode 3

**Press 4:** Light OFF - Press and hold for three seconds

**Mode 2:** Light is set to remain at low brightness until motion is detected which activates high brightness for up to 25 seconds

**Mode 3:** Light will only activate when motion is detected for up to 25 seconds **[This is the best mode for winter]**



## Troubleshooting

Please ensure that there are no nearby light sources shining on the solar panel or motion sensor after dark. These could be bright indoor/outdoor lights from your property or neighbours, or streetlights.

If you are unsure, disconnect the light from the wall bracket and take the light inside and test it in a dark room indoors.

If you are encountering any problems with your Kingsbridge, often you can resolve this yourself by following our troubleshooting guide. If the Kingsbridge has its solar panel in a poor location it will struggle to work, but that doesn't mean there is a fault with the unit. Please remember that the light will arrive with some charge and will likely work for a few days even if the solar panel is poorly located. Please try the troubleshooting tips below before contacting your retailer:

## Recharge Procedure

1. Double check the location of your solar panel to ensure it is in a clear location and as South facing as possible.
2. Turn the Kingsbridge off at the switch and leave it to recharge for 3-5 days ensuring one sunny day has passed.
3. After 3-5 days return to the Kingsbridge and turn it back on at the switch.
4. If your light still does not illuminate after dark, please contact your retailer.

## Water Ingress

The Kingsbridge offers a high level of protection against water ingress, but this protection is not unlimited. The Kingsbridge must be mounted to a vertical surface using its bracket. If your light is resting on the ground or on a surface where water can accumulate, it is likely that water will get into the light over time which will result in malfunction. Please be advised that water ingress resulting from improper use or installation is not covered by your warranty.

## Maintenance

Clean the surface of the solar panel and light lens with a soft, slightly moistened cloth. Do not use corrosive cleansing agents or chemical solutions as these may damage surfaces and impair operation. Keep the solar panel free of dirt, debris and snow.

## Safety Instructions

The Solar Centre assumes no liability for any damage resulting from the use of this product, nor do we assume liability for any damage to property or personal injury caused by improper use or failure to observe these instructions.

Unauthorised conversion and/or modification of the unit may be dangerous and will invalidate your warranty. To avoid damage to sight, do not look directly at the light source. This device is not a toy and should be kept out of reach of children. Do not submerge the device in water or expose it to extreme temperatures (less than -25°C or higher than 50°C).

For customer support please contact:

The Solar Centre Ltd  
44-46 Coldharbour Lane  
Harpenden  
Hertfordshire  
AL5 4UN

T: 01727 743200  
W: solarcentre.co.uk  
E: info@solarcentre.co.uk

