

KODIAK MINI SOLAR WALL LIGHT

User Guide

Thank you for choosing The Solar Centre's Kodiak Mini Solar Wall Light. Please read these instructions carefully before using your light.

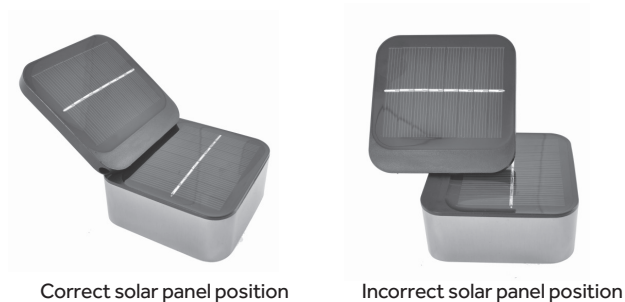
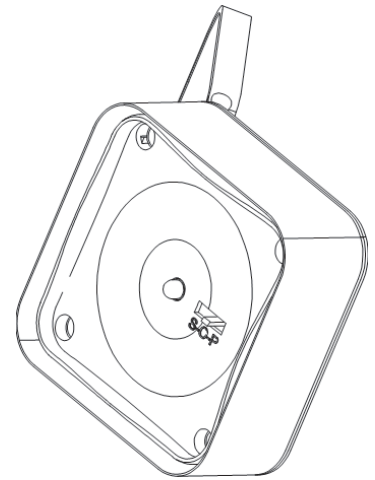
Installing your Kodiak Mini Solar Wall Light:

Before installing your light please think carefully about how much sun will be able to reach the solar panel in your intended location. Panels that face south, south-east or south-west always perform best. Always try to avoid shaded areas that are obstructed by buildings, trees, fences, sheds or the shadows that these create.

1. Position the template (overleaf) where you intend to instal the light.
2. Mark the two holes and place the template to one side.
3. Drill holes and insert screw plugs (if required) or use an awl to pierce the holes if fixing to a wooden surface.
4. Screw in screw until there is around 3mm left between screw head and the insalation surface.
5. Hang the bracket onto the two screws. Tighten screws if necessary to achieve a secure fit.

Using your Kodiak Solar Wall Light:

Now your Kodiak Mini Solar Wall Light is installed you can prepare it for first use. Remove the top piece by gently pulling it off the white diffuser. On the underside of the top piece there is a three way switch (see image right). **O** is for off. If your light is turned off it will still charge each day, but it will not turn on automatically after dark. **S** is for standard mode. In standard mode the light will operate at full brightness. **P** is for powersaving mode. In powersaving mode the brightness of your light is reduced, but runtime is doubled. In both **S** and **P** modes your light will turn on automatically at dusk and turn off automatically at dawn. Select either **S** or **P** modes and then replace your top. **Please note that your light will not turn on until after dark.**



receive maximum sunlight. **Please do not leave the upper solar panel rotated in such a way that it is obscuring the lower solar panel (see images above).** If you need your upper solar panel to face a different direction, remove the top piece by gently pulling it off the white diffuser, rotate it so that the upper solar panel is facing nearer the direction you want and then replace the top piece.

Positioning your solar panel:

Your Kodiak Mini Solar Wall Light uses a clever dual solar panel design which will help you get the best performance out of your light. **Before you begin adjusting your solar panel, please remember that the upper solar panel can only be raised and rotated so far in each direction. Never attempt to force the upper solar panel in any direction as this will cause damage that will not be covered by your guarantee.** Start by gently lifting the upper solar panel which is hinged to the lower solar panel. You will find that the upper solar panel can only be raised by 45 degrees before you meet resistance. Now rotate the upper solar panel by 180 degrees (please note that the upper solar panel can only be rotated counter clockwise). Both solar panels should now be fully exposed (see correct solar panel position image left).

The position of the lower solar panel is fixed, but you can tilt the upper solar panel in order to

Replacing the batteries:

The 2 AA rechargeable batteries that come pre-installed in the top piece are designed to work for at least a year before they need replacing. If you are experiencing issues within the first year of owning your light it is unlikely that replacing the batteries will resolve the problem (please see troubleshooting). When it is time to replace your batteries remove the top pice by gently pulling it off the white diffuser. Collapse the top solar panel so that it is sitting flat on top of the lower solar panel and turn the top piece upside down and place it down on a flat surface so that the led bulb and switch is facing up. Use a Phillips screw driver to remove the four screws and gently remove the battery compartment. **Please take care when removing the battery compartment because it is connected to the solar panel by two wires which may break if it is not removed carefully. Breaking these wires will invalidate your guarantee.** Gently remove the batteries and replace the old batteries with new AA rechargeable batteries. Please dispose of the dead batteries responsibly and in accordance with your local waste disposal guidelines. Once the new batteries are installed, carefully screw the battery compartment back into place.

Troubleshooting:

My light is on but it isn't dark:

Your Kodiak Mini Solar Wall Light has a twilight sensor in the solar panel that tells it when it is dark enough to turn on. If your light is coming on during the day this may suggest that the panel thinks it is dark when it isn't. This can happen in unusually dark weather conditions, but usually it is a sign that the solar panel is positioned in a heavily shaded location. Please rethink your solar panel location or remove objects obstructing light from reaching the solar panel.

My light worked for the first few nights and then stopped working:

Usually your light will come partially charged and will work for a few nights without receiving a fresh charge from the sun. If the light stops working after a few nights then it is likely that it has not received a fresh charge during the first few days. Please turn the light off at the switch on the underside of the top piece and leave it off for 3 days to fully recharge before turning it back on.

I can not get my light to turn on and it never has:

Please start by making sure that the light is switched on (see above).

If it is dark and your light is not coming on automatically there might be a nearby light (streetlights or lights coming from inside our outside your property or a neighbours) interfering with the twilight sensor which is preventing the light from coming on automatically. To check this simply cover both the upper and lower solar panels completely to see if the light comes on.

Usually your light will come partially charged, but this isn't always the case. Please turn the light off at the switch on the underside of the top piece and leave it off for 3 days to fully recharge before turning it back on.

KODIAK MINI SOLAR WALL LIGHT

Fixing Template

